

# TOMCAT<sup>®</sup>

# SPORT

## 17" - 26" Scrubbers



RIDER SCRUBBERS      SWEEPERS      BURNISHERS      CARPET CARE      FLOOR MACHINES



# KEY FEATURES

# APPLICATIONS



**Machine Control Panel** uses off-the-shelf toggle and marine duty switches and features universal icons which simplifies training.



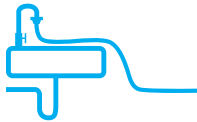
**Vacuum Muffler** allows machine to consistently achieve industry low sound levels for noise sensitive applications while thoroughly drying the floor.



**EDGE Orbital Scrubhead** delivers premier chemical-free floor stripping while reducing water consumption by up to 70%.



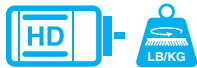
**Squeegee Adjustments made simple** with quick change squeegee latch allows toolless maintenance and 4-sided squeegee blade.



**Front Fill System** features a retractable hose for easy filling on standard sink-faucets and a stainless screen for bucket filling.



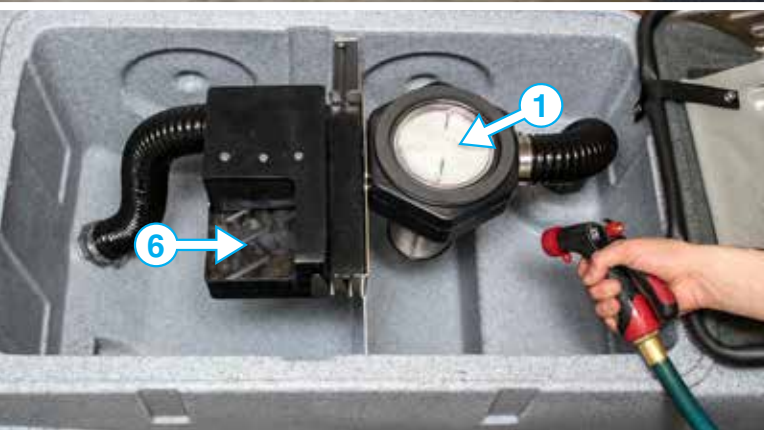
**Oversized Vacuum Screen Shut-Off** quickly arrests overfill issues to protect the Vacuum Motor.



**High Performance motors and down pressure** provides an unmatched standard of cleaning.



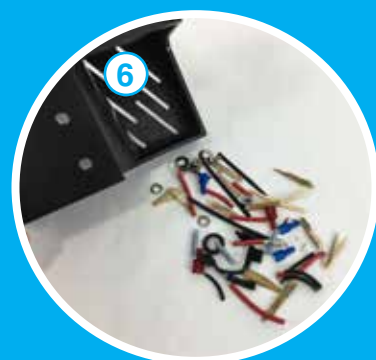
- School Systems
- Sports Arenas
- Retail
- Food & Beverage
- Healthcare
- Grocery Stores
- Automotive
- Airports



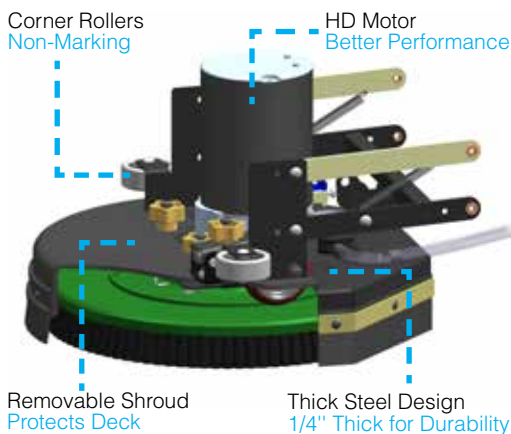
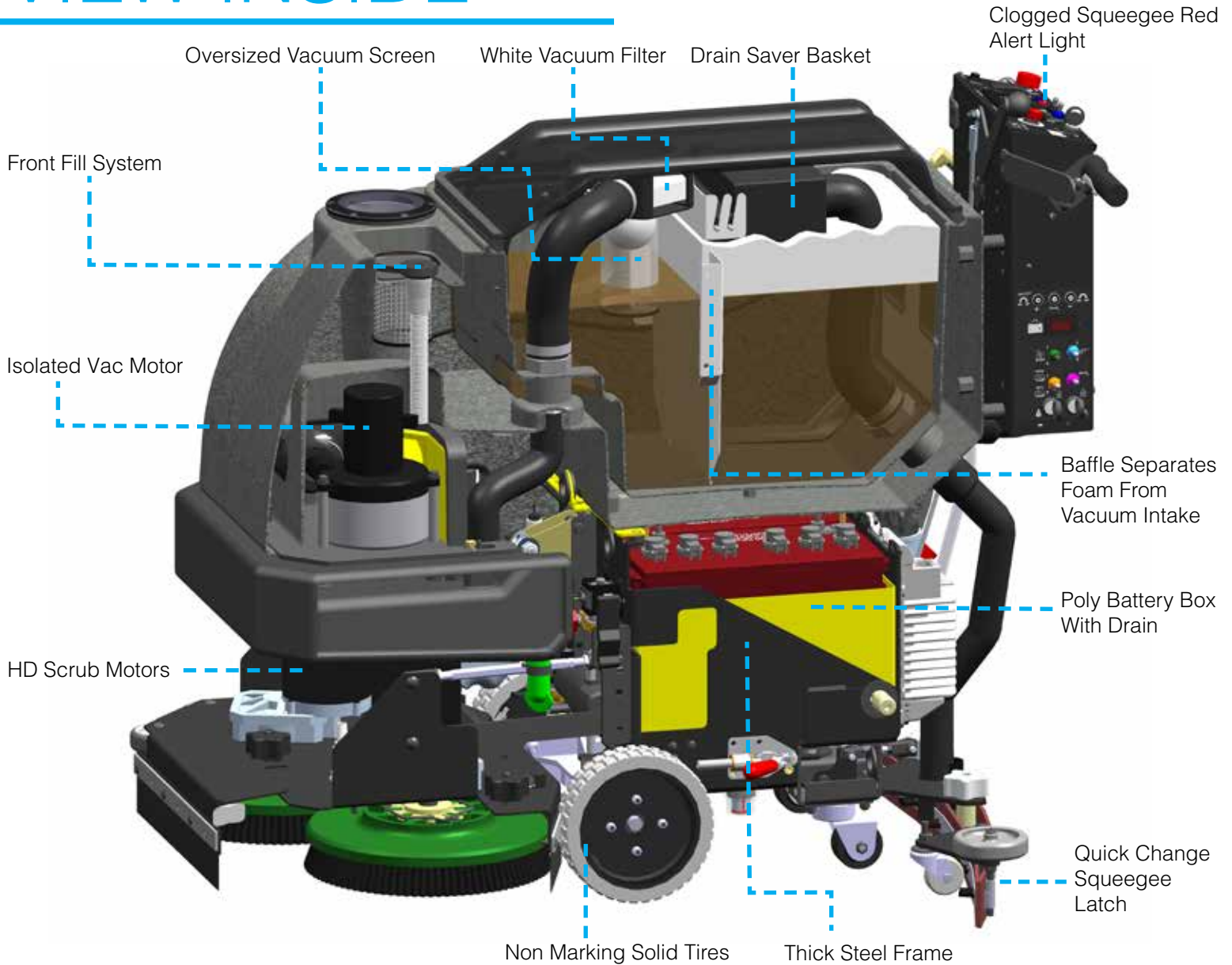
## TANK TIP FOR ACCESS

- 1 Vacuum Screen & Filter Cleaning
- 2 Service Batteries
- 3 Inspect Scrub Motors
- 4 Inspect Vacuum Motor
- 5 Inline Solution Filter
- 6 Drain Saver

Reduce costly repairs associated with clogged floor drains with our Drain Saver Basket.

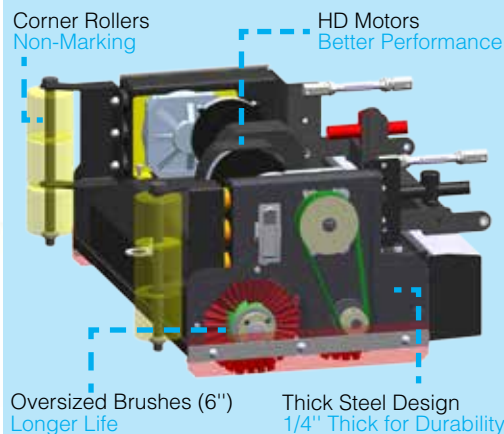


# VIEW INSIDE



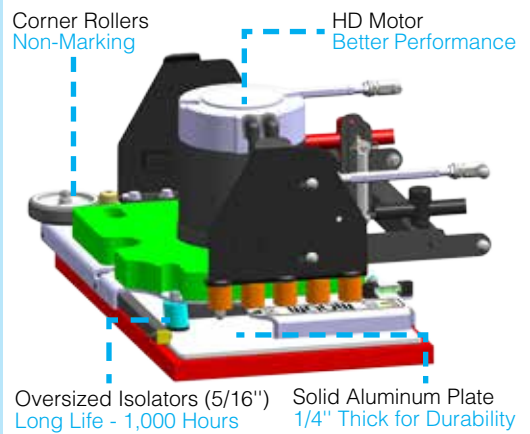
## Disk Benefits

- Brush / Pad Selection
- Lowest Maintenance Cost
- Gimballed Drivers Improves Cleaning On Irregular Floors
- Brushes Individually Driven For Unmatched Performance



## Cylindrical Benefits

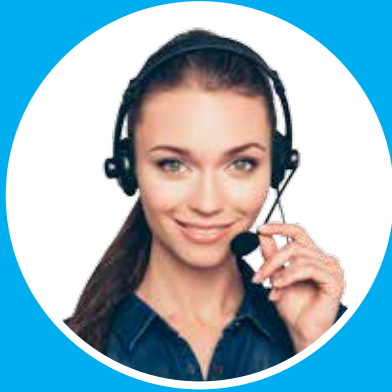
- Eliminates Dust Mopping
- Scrub & Sweep Simultaneously
- Superior Tile & Grout Cleaning



## EDGE Benefits

- Chemical Free Stripping
- Reduce Slip & Fall Potential
- Earn LEED Credits
- 70% Reduction in Water Usage
- Consistent Results - No Swirl Marks
- Wet screens Wood Gym floors

# CALL FOR A DEMONSTRATION



☎ 800-450-9824

🌐 (+001)-262-681-6470

🌐 [www.tomcatequip.com](http://www.tomcatequip.com)

Since 1986, our family owned company has been designing, building and supporting the best in floor maintenance equipment. Our **TOMCAT** brand services the world with unsurpassed commercial cleaning equipment, continually exceeding expectations and setting the industry bar that much higher.

We've built our reputation by providing the highest value machines and providing local support via 425 distributors in over 42 different countries.

## AUTHORIZED DISTRIBUTOR

### BODY CONSTRUCTION / DIMENSIONS

Tank Material:	Poly 5/16" (7.9 mm)
Chassis Construction:	3/16" Steel (4.8 mm) Powder Coated Steel
Front Wheels (Diameter x Width):	(2x) 8" x 2" ([2x] 20.3 x 5.1 cm) - Non-Marking Solid Grey
Rear Casters (Diameter x Width):	(2x) 2.5" x 1.38" ([2x] 6.4 x 3.5 cm) - Non-Marking Grey
Size (L x W x H):	45" x 21" x 39" (114.3 x 53.3 x 99.1 cm)
Weight (w/o Batteries):	278 - 328 lbs (126 - 149 kg)
Weight (w/ 130 ah Batteries):	410 - 460 lbs (186 - 209 kg)

### BRUSH / PAD SYSTEM

Disk Dimensions:	17" - (1x) 17" Diameter (43.2 - [1x] 43.2 cm)
<small>Includes Shroud with Rollers for Wall Protection</small>	20" - (1x) 20" Diameter (50.8 - [1x] 50.8 cm)
	26" - (2x) 13" Diameter (66.1 - [1x] 33 cm)
Disk Motor:	17" & 20" - (1x) 0.75 hp / 200 rpm (43.2 & 50.8 cm [1x] 559 watts)
	26" - (2x) 0.75 hp / 270 rpm (66.1 cm [2x] 559 watts)
Disk Brush Speed:	200 rpm or 270 rpm
Cylindrical Dimensions:	25" - (2x) 6" x 23" (63.5 - [2x] 15.2 x 58.4 cm)
<small>6" Diameter Brush</small>	
Cylindrical Motor:	(2x) 0.75 hp / 350 rpm ([2x] 559 watts)
Cylindrical Brush Speed:	750 rpm
EDGE Dimensions:	20" x 14" (50.8 x 35.6 cm)
	24" x 14" (60.9 x 35.6 cm)
EDGE Motor:	1.0 hp / 2500 rpm (746 watts)
EDGE Optional HD Motor:	1.2 hp / 2900 rpm (894 watts)
Brush Pressure Settings:	(5) with Auto Adjust
Brush Down Pressure:	Up to 125 lbs (57 kg) / 500 lbs (227 kg) Actuator Rating

### POWER SYSTEM

System Voltage:	24 VDC
Standard Battery:	130 ah WET
Optional Battery:	150 ah WET / 115 ah AGM* / 140 ah AGM*
<small>*Includes Onboard Charger</small>	
Run Time:	Up to 2.5 Hours**
<small>**Run times are based on continuous scrubbing run times.</small>	
Charger:	120VAC / 60 Hz Input - 24VDC / 12 amp Output

### DRIVE SYSTEM

Power:	0.75hp - All Gear / Sealed (559 watts)
Forward Speed:	0 - 230 ft/min / 2.6 mph (0 - 70 m/min / 4 km/h)
Scrubbing Speed:	0 - 184 ft/min / 2 mph (0 - 56 m/min / 3 km/h)
Reverse Speed:	0 - 130 ft/min / 1.5 mph (0 - 40 m/min / 2 km/h)

### SOLUTION / RECOVERY SYSTEMS

Solution Tank Capacity:	13 Gallons (49.2 liters) - w/ Graduated Site Tube
Solution Flow / Filter:	0 - 0.5 GPM / Stainless Inline (0 - 1.9 LPM)
Recovery Tank Capacity:	15 Gallons (56.8 liters) - 1.5" diameter Drain Hose
Demisting Chamber:	1.25 Gallons (4.7 liters)
Drain Saver:	30 cubic inches (492 cubic cm)
Vacuum Power:	0.8 hp / 3 Stage (640 watts)
Vacuum Specs (Water Lift / Airflow):	70" / 70 cfm (178 cm / 2 cm/m)
Squeegee:	Curved w/ 4-sided Rear Blade & Quick Change Latch 17D, 20D, 20E - 33" (83.8 cm) 24E, 25C, 26D - 36" (91.4 cm)

### GENERAL

Cleaning Width:	17", 20" & 26" - Disk (43.2, 50.8 & 66.1 cm) 25" - Cylindrical (63.5 cm) 20" & 24" - EDGE (50.8 & 60.9 cm)
Sound Levels:	62 dBA***

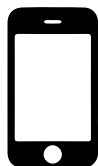
\*\*\*Decibel levels for Disk & EDGE per ISO 11201 as recommended by the American Association of Cleaning Equipment Manufacturers & OSHA

Productivity - Theoretical: Up to 27,027 sqft (2,511 sqm)\*\*\*\*

\*\*\*\*Productivity is based off of ISSA 2010 Cleaning Times

Productivity - Practical: Up to 12,526 sqft (1,164 sqm)\*\*\*\*

\*\*\*\*Productivity is based off of ISSA 2010 Cleaning Times



**Manufactured By**  
R.P.S. Corporation  
1711 South Street  
Racine, Wisconsin 53404 (USA)  
Phone: (800) 450-9824  
International: (+001) 262-681-6470  
[www.tomcatequip.com](http://www.tomcatequip.com)